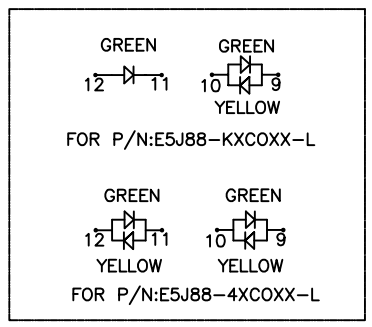
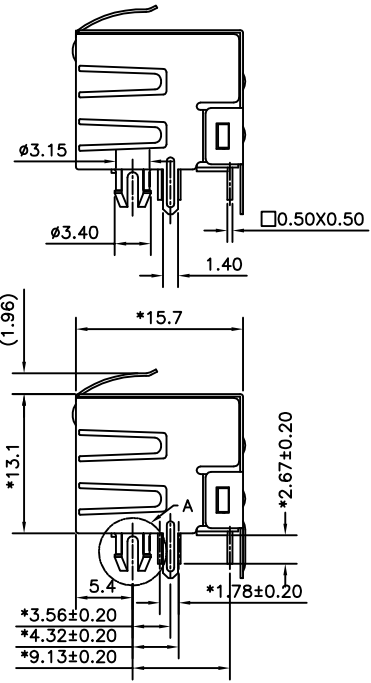
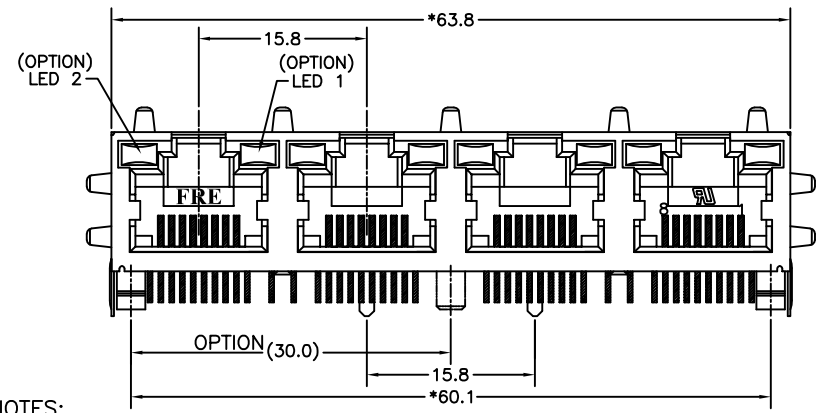


PC Board Layout(t=1.60mm)  
Component Side Shown Tolerance±0.05mm



NOTES:

ELECTRICAL:

1. VOLTAGE RATING : 125 VAC RMS.
2. CURRENT RATING : 1.5 AMP.
3. CONTACT RESISTANCE : 30 MILLIOHMS MAX.
4. INSULATION RESISTANCE: 1000 MEGOHMS MIN @ 500 VDC.
5. DIELECTRIC STRENGTH : 1000 VAC RMS 60Hz, 1MIN.
6. LED RATINGS: FORWARD VOLTAGE: 2.2 VOLTS TYPICAL.  
REVERSE VOLTAGE: 5 VOLTS MAXIMUM
7. OPERATING: 750 CYCLES MIN.

MECHANICAL:

1. HOUSING MATERIAL : GLASS FILLED PBT UL94V-0. COLOR-BLACK.
2. INSERT MATERIAL : GLASS FILLED PBT UL94V-0. COLOR-BLACK.
3. BACK PLATE MATERIAL: GLASS FILLED PBT. COLOR-BLACK.
4. LED SIZE : 3.2\*2.0\*7.0\*P=2.54mm.
5. SHIELD MATERIAL : COPPER ALLOY 0.25mm THICKNESS PLATING NI.
6. CONTACT MATERIAL : PHOSPHOR BRONZE t=0.35mm.
7. PLATING : CONTACT AREA-SELECTIVE GOLD PLATING.  
TAILS-TIN 150u" MIN OVER NICKEL.
8. PCB RETENTION PRE-SOLDER: 1 LB MIN.
9. PCB RETENTION POST-SOLDER: 10 LBS MIN.

ENVIRONMENTAL:

1. STORAGE TEMPERATURE : -40°C TO +85°C.
  2. OPERATION TEMPERATURE : -40°C TO +85°C.
  3. WAVE SOLDERING TEMPERATURE: 230~250°C(3~5 SECONDS)
  4. RoHS COMPLIANT.
- MATES WITH MODULAR PLUG CONFORMING TO FCC PART 68, SUBPART F.  
CUL FILE No:E163191

PART NUMBER	LED COLOR		TAB	GOLD PLATING
	LED 1	LED 2		
E5J88-11C025-L	GREEN	YELLOW	NO TAB	50u"
E5J88-14C022-L	GREEN	YELLOW	TOP TABS & SIDE TABS	6u"
E5J88-24C022-L	GREEN	GREEN	TOP TABS & SIDE TABS	6u"
E5J88-24C025-L	GREEN	GREEN	TOP TABS & SIDE TABS	50u"
E5J88-34C022-L	YELLOW	GREEN	TOP TABS & SIDE TABS	6u"
E5J88-34C025-L	YELLOW	GREEN	TOP TABS & SIDE TABS	50u"
E5J88-44C025-L	GREEN+YELLOW	GREEN+YELLOW	TOP TABS & SIDE TABS	50u"
E5J88-54C024-L	RED	GREEN	TOP TABS & SIDE TABS	30u"
E5J88-K1C022-L	GREEN+YELLOW	GREEN	NO TAB	6u"

DETACHED LISTS	← MM (INCH) →	<b>RoHS Compliant</b>					
	TOLERANCES EXCEPT AS NOTED						
	MM	±	TITLE RJ45 SIDE ENTRY LED GANG JACK 4 PORTS				
	.0 ± 0.2	±					
.00 ± 0.15	±	DFTO Cathy		DRAWING NO. CE5J3017-LC		SIZE	REV
.000 ± 0.075	±	DATE 2006/10/05		/PART NO. SEE TABLE		A3	0
ANGLES ± 0.5		SCALE : 2:1		DO NOT SCALE DRAWING		SHEET 1	OF 1
		THIRD ANGLE PROJECTION					